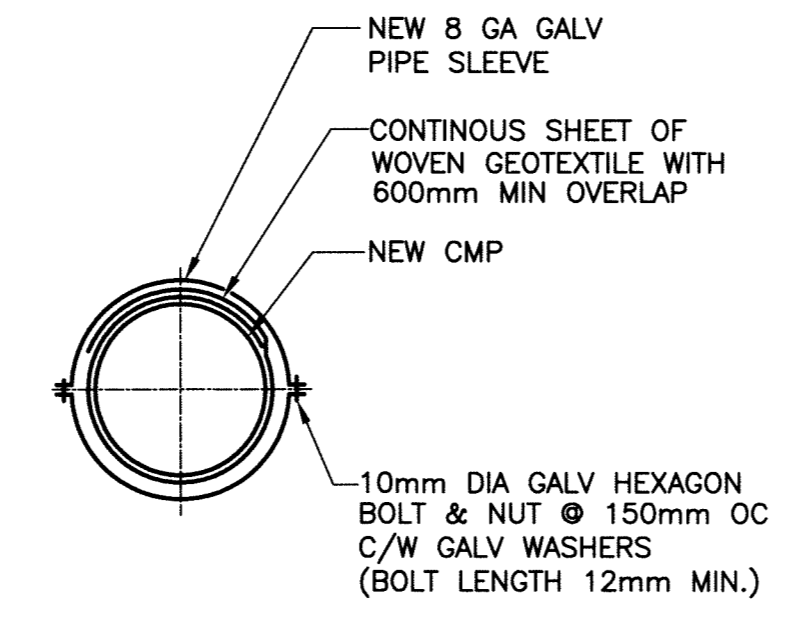
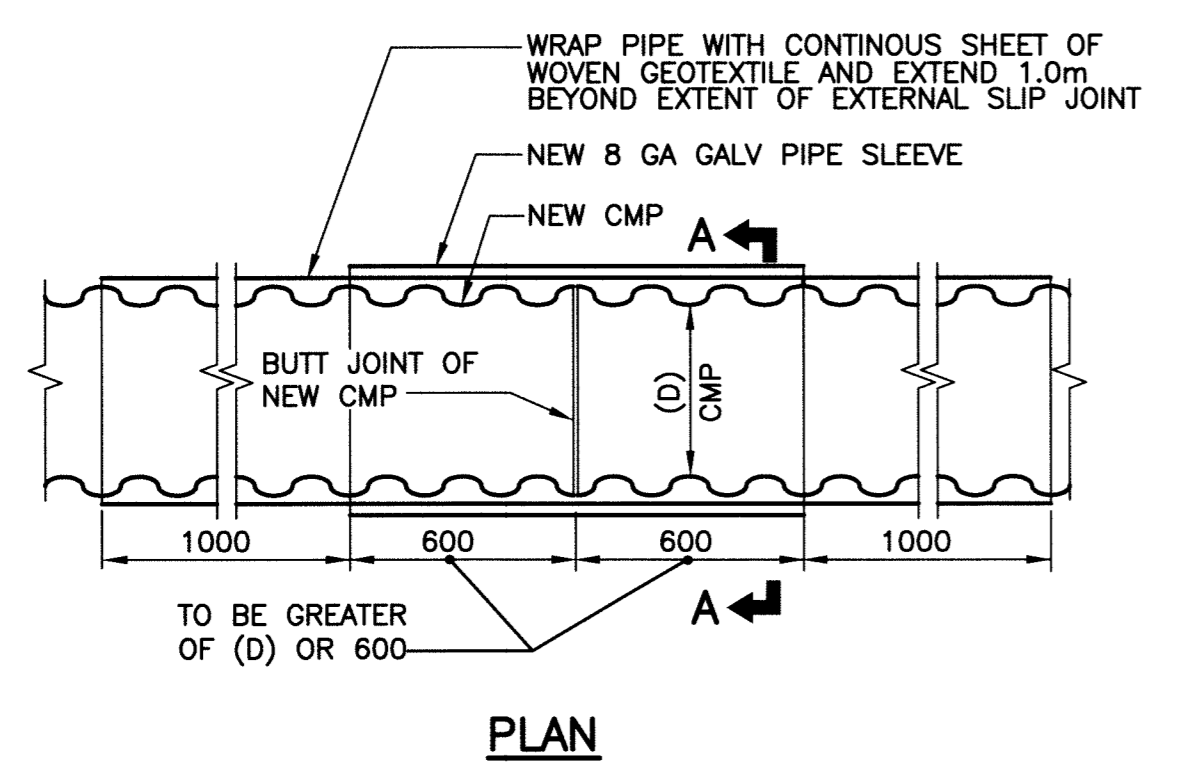


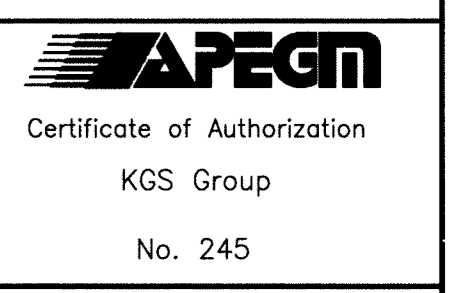
SILT FENCE DETAILS



EXTERIOR SLIP JOINT DETAIL

File Name: P:\Projects\2012\12-0107-013\DocControl\Tobelaused\DWG\12-0107-013_LD-7020-Rev.0.dwg - Tab: LD-7020 Plotted By: DDeroche 13/01/02 [Wed 4:24pm] COMPLETED

METRIC
WHOLE NUMBERS INDICATE MILLIMETRES
DECIMALIZED NUMBERS INDICATE METRES



THE CITY OF WINNIPEG
WATER & WASTE DEPARTMENT

2013 OUTFALL RENEWAL/
REHABILITATION PROGRAM

MISCELLANEOUS DETAILS

SHEET OF
05 OF **05**
CAD FILE DRAWING NUMBER
DETAIL PLOT
CITY DRAWING NUMBER
LD-7020

LOCATION APPROVED UNDERGROUND STRUCTURES	
SUPV. U/G STRUCTURES COMMITTEE	DATE
NOTE: LOCATION OF UNDERGROUND STRUCTURES AS SHOWN ARE BASED ON THE BEST INFORMATION AVAILABLE BUT NO GUARANTEE IS GIVEN THAT ALL EXISTING UTILITIES ARE SHOWN OR THAT THE GIVEN LOCATIONS ARE EXACT. CONFIRMATION OF EXISTENCE AND EXACT LOCATION OF ALL SERVICES MUST BE OBTAINED FROM THE INDIVIDUAL UTILITIES BEFORE PROCEEDING WITH CONSTRUCTION.	

B.M. ELEV.			
0	ISSUED FOR TENDER	13/01/04	RBO
NO.	REVISIONS	DATE	BY

KGS GROUP CONSULTING ENGINEERS & PROJECT MANAGERS
WINNIPEG (204) 896-1209
THUNDER BAY (807) 345-2233

DESIGNED BY: RBO	CHECKED BY: [Signature]
DRAWN BY: GEL	APPROVED BY:
HOR. SCALE: AS NOTED	RELEASED FOR CONSTRUCTION:
VERTICAL:	DATE:

ENGINEER'S SEAL
PROVINCE OF MANITOBA
REGISTERED PROFESSIONAL ENGINEER
R.B. OFFMAN
Member 24771

CONSULTANT DRAWING NO.
12-0107-013